

NEW!

5000 Series Carbon Fiber Calipers

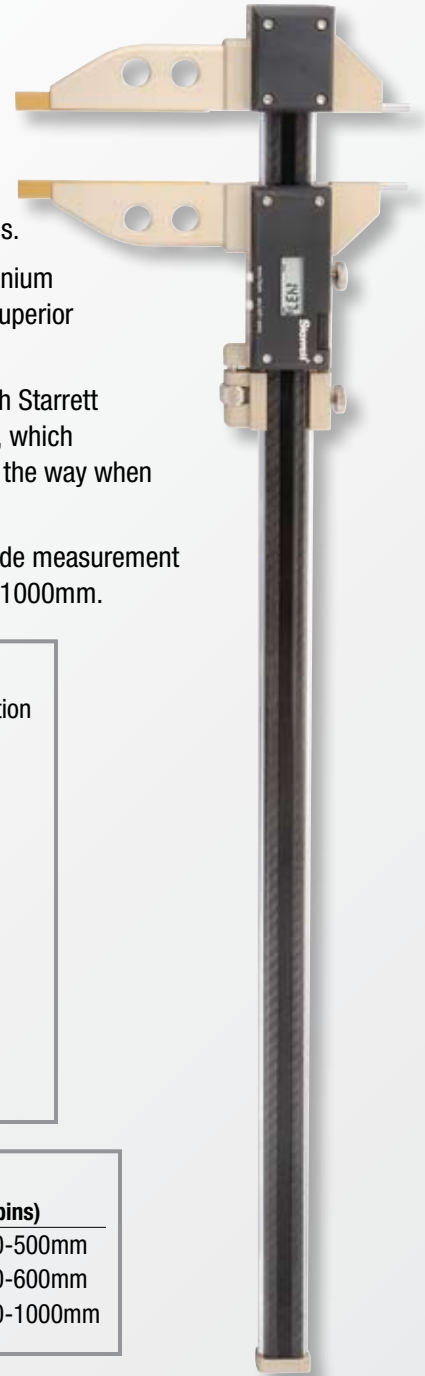


The new 5000 Series Electronic Calipers utilize carbon fiber to significantly reduce tool weight, making them relatively easy to manipulate when measuring large workpieces.

The jaws for outside measurements have titanium coated stainless steel jaws for long life and superior flatness. They are also coolant resistant.

With RS232 output, they are ideal for use with Starrett DataSure® Wireless Data Collection Systems, which eliminates the output cables that often get in the way when measuring larger workpieces.

5000 tools are available with maximum outside measurement capacities from 0-20"/0-500mm to 0-40"/0-1000mm.



Features & Specifications

- Mode button to select mm or inch. When an RS232 cable is installed, the mm/inch function is disabled and the button functions as a send button
- Hold Feature will freeze the display it is in either REF I or REF II mode
- On/Off Button
- Two Preset Modes, REF I and REF II. This allows you to set one mode to represent the value of a setting master and a second to represent a zero setting.
- RS232 port allows data transmission thru a DataSure® Wireless Data Collection System using a 1500-3A-1N end node. Will also transmit to PC through cable #62606.
- 5"/125mm Jaw Depth (all sizes)
- Uses one CR2032 lithium battery. Over one year life with normal use.
- Includes wooden case
- Resolution: 0.0005"/0.01mm

Cat. No.	EDP	Measuring Capacities		
		Outside	Inside (w/Jaws)	Inside (w/top pins)
5000BZ-20/500	14571	0-20", 0-500mm	0.394-20", 10-500mm	0.787-20", 20-500mm
5000BZ-24/600	14572	0-24", 0-600mm	0.394-24", 10-600mm	0.787-24", 20-600mm
5000BZ-40/1000	14573	0-40", 0-1000mm	0.394-40", 10-1000mm	0.787-40", 20-1000mm