



## Dial Indicators

### No. 655 Series AGD Group 3

Ranges up to 1" and 25mm

These indicators have a shockless, hardened steel gear train and jewel bearings. They are furnished with a lug-on-center back. Antimagnetic and special nonshock mechanisms are options available for all models. For more information on these and other attachments, accessories and contact points, refer to the end of the AGD Dial Indicator listings. For dial styles, see previous pages. For dimensions, see next page.



Left, No. 655-111J; right, No. 655-161J-8.

### Inch Reading

Graduation	Range		Dial Reading	Catalog No.	EDP No.
	One Rev.	Total			
.0001"	.008"	.020"	0-4-0	<b>655-118J</b>	53507
		.010"	0-5-0	<b>655-111J</b>	53505
	0-10		<b>655-211J</b>	53537	
	0-5-0		<b>655-511J</b>	53615	
	0-10	<b>655-611J</b>	53617		
.00025"	.010"	.025"	0-5-0	<b>655-124J</b>	53509
		0-10	<b>655-224J</b>	53539	
	.020"	0-10-0	<b>655-128J</b>	53511	
		0-20	<b>655-228J</b>	53541	
		0-15-0	<b>655-129J</b>	53513	
0-30	<b>655-229J</b>	53543			
.0005"	.020"	.050"	0-10-0	<b>655-134J</b>	53517
			0-20	<b>655-234J</b>	53587
	.030"	.075"	0-15-0	<b>655-136J</b>	53519
			0-30	<b>655-236J</b>	53589
			0-20-0	<b>655-138J</b>	53521
	.040"	.100"	0-40	<b>655-238J</b>	53591
			0-25-0	<b>655-131J</b>	53515
.050"	.125"	0-50	<b>655-231J</b>	53585	

Packed one in a box.

(Continued on next page.)



### Dial Indicators

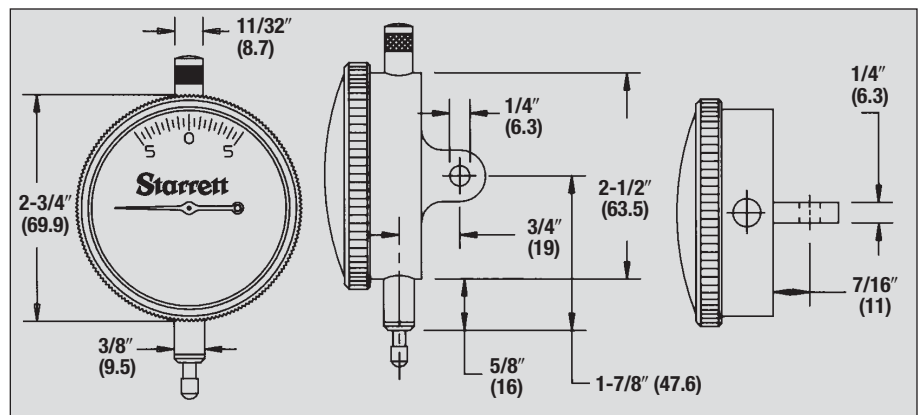
#### Series No. 655 (continued)

#### Inch Reading (continued)

Graduation	Range		Dial Reading	Catalog No.	EDP No.
	One Rev.	Total			
.001"	.020"	.050"	0-10-0	<b>655-142J</b>	53525
			0-20	<b>655-242J</b>	53595
	.030"	.075"	0-15-0	<b>655-143J</b>	53527
			0-30	<b>655-243J</b>	53597
	.040"	.100"	0-20-0	<b>655-144J</b>	53529
			0-40	<b>655-244J</b>	53599
	.050"	.125"	0-25-0	<b>655-145J</b>	53531
			0-50	<b>655-245J</b>	53601
	.100"	.250"	0-50-0	<b>655-141J</b>	53523
			0-100	<b>655-241J</b>	53593
		.500"	0-50-0	<b>655-341/5J</b>	53607
			0-100	<b>655-441/5J</b>	53611
		1.000"	0-50-0	<b>655-341J</b>	53609
			0-100	<b>655-441J</b>	53613

#### Millimeter Reading

Graduation	Range		Dial Reading	Stem Dia.	Catalog No.	EDP No.
	One Rev.	Total				
0.002 mm	0.2 mm	0.5 mm	0-10-0	.375"	<b>655-161J</b>	53533
				8 mm	<b>655-161J-8</b>	64659
			0-20	.375"	<b>655-261J</b>	53603
				8 mm	<b>655-261J-8</b>	64660
0.01 mm	1.0 mm	2.5 mm	0-50-0	.375"	<b>655-181J</b>	53535
				8 mm	<b>655-181J-8</b>	64661
			0-100	.375"	<b>655-281J</b>	53605
				8 mm	<b>655-281J-8</b>	64868
		25 mm	0-100	.375"	<b>655-881J</b>	56229
				8 mm	<b>655-881J-8</b>	64869



Packed one in a box.

Free drafting template available for this size. Write The L.S. Starrett Co., Athol, MA 01331.



**Dial Indicators**

**No. 656 Series  
AGD Group 4  
Ranges up to 1" and 25mm**

These indicators have a shockless, hardened steel gear train and jewel bearings. They are furnished with a lug-on-center back. Antimagnetic mechanism is optional for all models. Special nonshock mechanism is available for all models except Nos. 656-109 and 656-209. For more information on these and other attachments, accessories and contact points, refer to the end of the AGD Dial Indicator listings. For dial styles, see previous pages. For dimensions, see next page.



Left, No. 656-111J; right, No. 656-161J-8.

**Inch Reading**

Graduation	Range		Dial Reading	Catalog No.	EDP No.
	One Rev.	Total			
.00005"	.006"	.015"	0-3-0	<b>656-109J</b>	53661
			0-6	<b>656-209J</b>	53694
.0001"	.008"	.020"	0-4-0	<b>656-118J</b>	53664
			0-5-0	<b>656-111J</b>	53662
	.010"	.025"	0-10	<b>656-211J</b>	53695
			0-5-0	<b>656-511J</b>	53791
	.010"	.200"	0-10	<b>656-611J</b>	53795
			0-10-0	<b>656-517J</b>	53793
0-20	<b>656-617J</b>	53797			
.00025"	.010"	.025"	0-5-0	<b>656-124J</b>	53666
			0-10	<b>656-224J</b>	53697
	.020"	.050"	0-10-0	<b>656-128J</b>	53668
			0-20	<b>656-228J</b>	53699
	.030"	.075"	0-15-0	<b>656-129J</b>	53670
			0-30	<b>656-229J</b>	53701

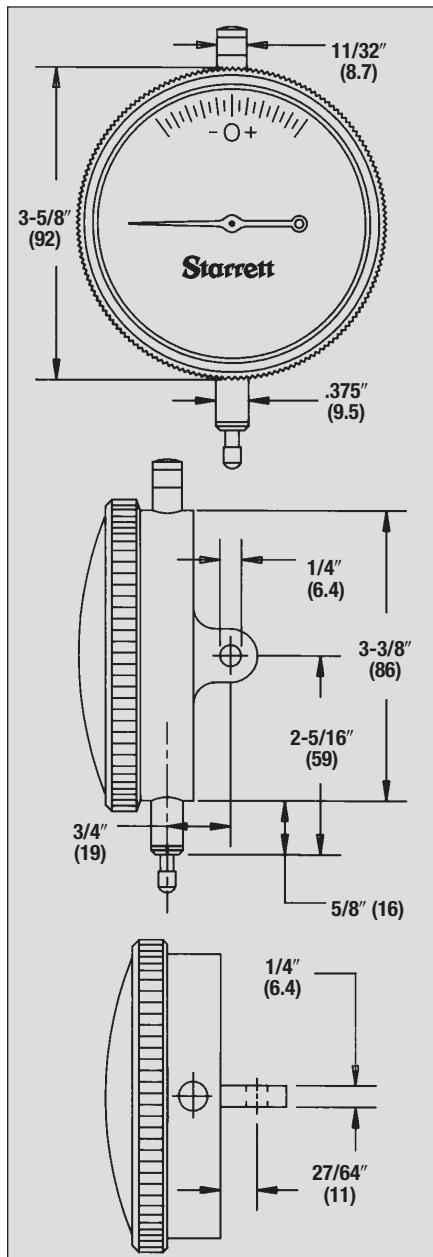
Packed one in a box.

(Continued on next page.)



### Dial Indicators

#### No. 656 Series (continued)



Free drafting template available for this size.  
Write The L.S. Starrett Co., Athol, MA 01331.

#### Inch Reading (continued)

Graduation	Range		Dial Reading	Catalog No.	EDP No.
	One Rev.	Total			
.0005"	.020"	.050"	0-10-0	<b>656-134J</b>	53674
			0-20	<b>656-234J</b>	53705
	.030"	.075"	0-15-0	<b>656-136J</b>	53676
			0-30	<b>656-236J</b>	53707
	.040"	.100"	0-20-0	<b>656-138J</b>	53678
			0-40	<b>656-238J</b>	53709
.050"	.125"	0-25-0	<b>656-131J</b>	53672	
		0-50	<b>656-231J</b>	53703	
.001"	.020"	.050"	0-10-0	<b>656-142J</b>	53682
			0-20	<b>656-242J</b>	53713
	.030"	.075"	0-15-0	<b>656-143J</b>	53684
			0-30	<b>656-243J</b>	53715
	.040"	.100"	0-20-0	<b>656-144J</b>	53686
			0-40	<b>656-244J</b>	53717
	.050"	.125"	0-25-0	<b>656-145J</b>	53688
			0-50	<b>656-245J</b>	53719
	.100"	.250"	0-50-0	<b>656-141J</b>	53680
			0-100	<b>656-241J</b>	53711
			0-50-0	<b>656-341/5J</b>	53783
		.500"	0-100	<b>656-441/5J</b>	53787
0-50-0			<b>656-341J</b>	53785	
0-100			<b>656-441J</b>	53789	

#### Millimeter Reading

Graduation	Range		Dial Reading	Stem Dia.	Catalog No.	EDP No.
	One Rev.	Total				
0.002mm	0.2mm	0.5mm	0-10-0	.375"	<b>656-161J</b>	53690
				8mm	<b>656-161J-8</b>	64870
			0-20	.375"	<b>656-261J</b>	53779
				8mm	<b>656-261J-8</b>	64871
0.01mm	1.0mm	2.5mm	0-50-0	.375"	<b>656-181J</b>	53692
				8mm	<b>656-181J-8</b>	64872
			0-100	.375"	<b>656-281J</b>	53781
		8mm		<b>656-281J-8</b>	64873	
		25mm	0-100	.375"	<b>656-881J</b>	56234
				8mm	<b>656-881J-8</b>	64874

Packed one in a box.