

**Blades Only for
combination squares,
sets and bevel
protractors**

Inch, Millimeter and Inch/Millimeter

The blades listed below fit any head according to the sizes noted in the charts on all combination squares, combination sets and bevel protractors. The 12", 18", 24" and 36" and 300mm and 600mm sizes are interchangeable. Exception: Starrett No. 33J and No. 8 Combination Squares. (For these, see No. 33J and No. 8 listings.)

Inch Blades

Size	Approx. Width x Thickness	Graduation	Finish	Catalog No.	EDP No.
4"	5/8" x 1/16"	No. 4R – 8ths, 16ths, Quick Reading 32nds, 64ths	Regular	B4-4R	50076
			Satin Chrome	CB4-4R	50077
		No. 16R – Quick Reading 32nds, 64ths, Aircraft Quick Reading 50ths, 100ths	Satin Chrome	CB4-16R	50078
6"	3/4" x 5/64"	No. 4R – 8ths, 16ths, Quick Reading 32nds, 64ths	Regular	B6-4R	50079
			Satin Chrome	CB6-4R	50080
		No. 16R – Quick Reading 32nds, 64ths, Aircraft Quick Reading 50ths, 100ths	Regular	B6-16R	50081
			Satin Chrome	CB6-16R	50082
12"	1" x 3/32"	No. 4R – 8ths, 16ths, Quick Reading 32nds, 64ths	Regular	B12-4R	50083
			Satin Chrome	CB12-4R	50084
		No. 6R – Aircraft Quick Reading 50ths and 10ths	Satin Chrome	CB12-6R	50085
			No. 16R – Quick Reading 32nds, 64ths, Aircraft Quick Reading 50ths, 100ths	Regular	B12-16R
		Satin Chrome		CB12-16R	50087
		18"	1" x 3/32"	No. 4R – 8ths, 16ths, Quick Reading 32nds, 64ths	Stainless Steel
No. 4R – 8ths, 16ths, Quick Reading 32nds, 64ths	Regular				B18-4R
	Satin Chrome			CB18-4R	50089
No. 16R – Quick Reading 32nds, 64ths, Aircraft Quick Reading 50ths, 100ths	Regular			B18-16R	50090
	Satin Chrome	CB18-16R	50091		

All sizes packed one in an envelope.

(Continued on next page.)



Blades Only for combination squares, sets and bevel protractors (continued)

Inch Blades (continued)

Size	Approx. Width x Thickness	Graduation	Finish	Catalog No.	EDP No.
24"	1" x 3/32"	No. 4R – 8ths, 16ths, Quick Reading 32nds, 64ths	Regular	B24-4R	50092
			Satin Chrome	CB24-4R	50093
		No. 6R – Aircraft Quick Reading 50ths and 10ths	Satin Chrome	CB24-6R	50094
			No. 16R – Quick Reading 32nds, 64ths, Aircraft Quick Reading 50ths, 100ths	Regular	B24-16R
Satin Chrome	CB24-16R	50096			
36"	1" x 3/32"	No. 4R – 8ths, 16ths, Quick Reading 32nds, 64ths	Satin Chrome	CB36-4R	50097
			No. 16R – Quick Reading 32nds, 64ths, Aircraft Quick Reading 50ths, 100ths	Satin Chrome	CB36-16R
48"	1" x 3/32"	No. 4R – 8ths, 16ths, Quick Reading 32nds, 64ths		Satin Chrome	CB48-4R

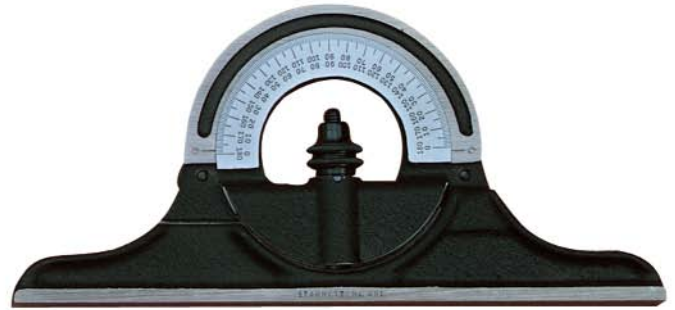
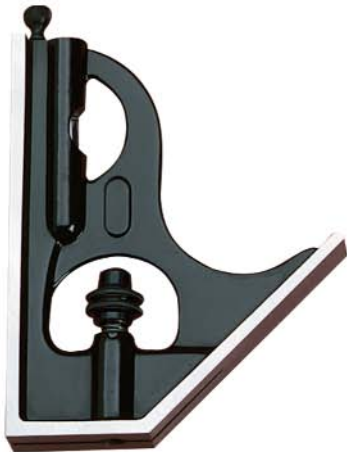
Millimeter Blades

150mm	19mm x 2mm	mm and 1/2mm Both Sides	Regular	B150-35	55985
			Satin Chrome	CB150-35	55988
300mm	25mm x 2.4mm		Regular	B300-35	55986
			Satin Chrome	CB300-35	55989
600mm			Regular	B600-35	55987
			Satin Chrome	CB600-35	55990

Inch and Millimeter Blades

150mm & 5-3/4"	19mm x 2mm	1/2mm and 32nds One Side; mm and 64ths Reverse Side	Regular	B150-36	55991
			Satin Chrome	CB150-36	55992
300mm & 11-3/4"	25mm x 2.4mm		Regular	B300-36	50101
			Satin Chrome	CB300-36	55993
600mm & 23-1/2"			Regular	B600-36	50102
			Satin Chrome	CB600-36	55994

All sizes packed one per envelope.



**Square Heads,
Center Heads and
Protractor Heads
Only
for combination
squares, combination
sets and bevel
protractors**

The heads listed fit any blade according to the sizes noted in the charts on all combination squares, combination sets and bevel protractors. Sizes 12", 18", and 24", and 300mm and 600mm are interchangeable. When ordering, specify complete catalog number and length of blade. Exception: Starrett No. 33J and No. 8 Combination Squares. (For these, see No. 33J and No. 8 listings.)

Square Heads

Fits Blade Size	Cast Iron Black Wrinkle Finish		Forged and Hardened Steel with Smooth Black Enamel Finish	
	Catalog No.	EDP No.	Catalog No.	EDP No.
4"	H11-4	50069	H33-4	50223
6"	H11-6	50070	H33-6	50224
12" (300mm)	H11-1224	50071	H33-1224	50225
18"				
24" (600mm)				

Center Heads

4"	C11-4	50072	C33-4	50226
6"	C11-6	50073	C33-6	50227
12" (300mm)	C11-1224	50074	C33-1224	50228
18"				
24" (600mm)				

Protractor Heads – Cast Iron (Fits blades 12" and up)

Finish	Reversible		Nonreversible	
	Catalog No.	EDP No.	Catalog No.	EDP No.
Black Wrinkle	PR-1224W	52525	PNR-1224W	50107
Black Wrinkle, Chrome on Turret	CPR-1224W	64601	CPNR-1224W	50108
Black Smooth	PR-1224S	52515		
Black Smooth, Chrome on Turret	CPR-1224S	52516		

NOTE: For prices of lock bolts, contact the Parts Department.

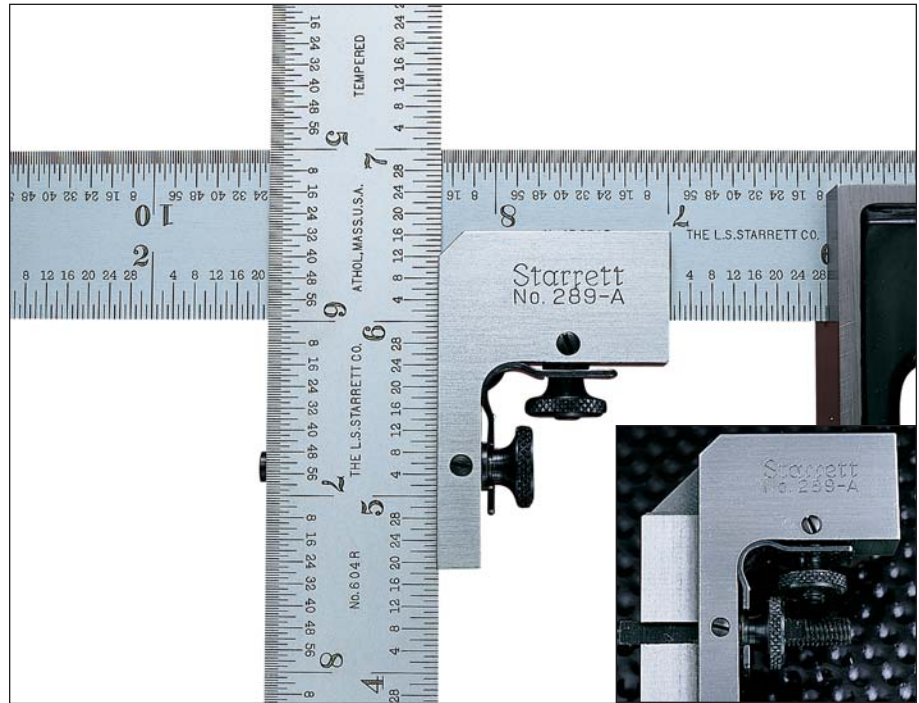
Packed one in a box.



Attachments for combination squares

No. 289 Series

These attachments fit combination square blades 1" (25mm) wide and permit attaching rules, blades or thin steel try squares, up to 1" (25mm) wide, at right angles to the blade of the square for laying out key seats, centers, scribing horizontal lines, and measuring diameters. Available in two sizes listed below. Both sizes can also be used with No. 289C Height and Depth Gage Attachment.



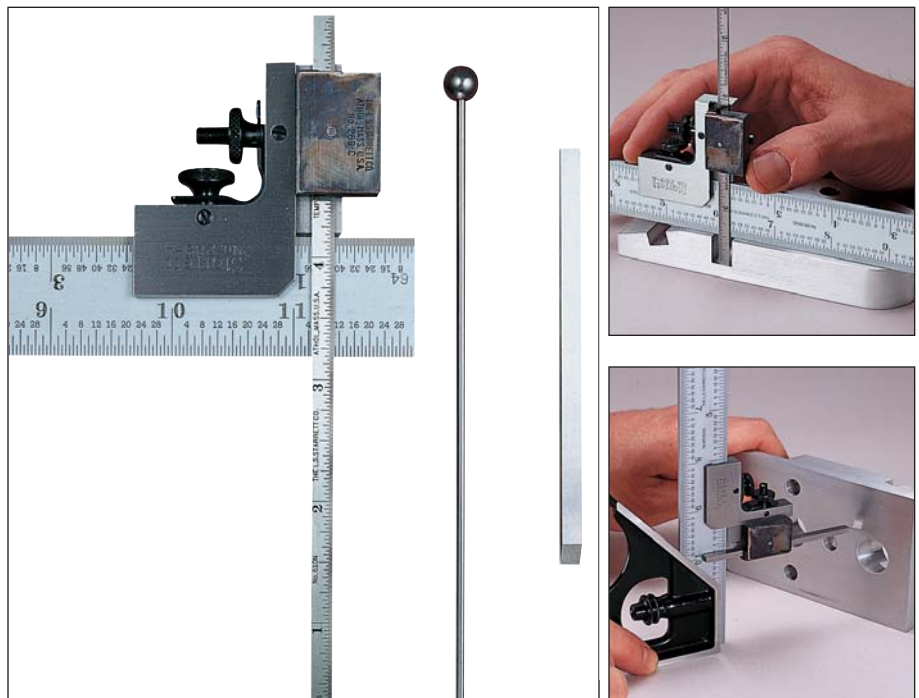
Range	Seat Length		Catalog No.	EDP No.	
	Blade/Rule	Blade			Rule
1" (25mm)		1-9/16" (40mm)	1-11/16" (43mm)	289A	51322
		2-3/8" (60mm)	2-3/8" (60mm)	289B	51323

Height and Depth Gage Set for combination squares

No. 289C

When combined with the Starrett No. 289A or No. 289B Attachments, this set converts any combination square or set having blades up to 1" (25mm) wide into a height gage or depth gage. In addition to a clamp block, the set has a scriber, 6" rule (Starrett No. 610N-6) and a 6" (150mm) rod, any one of which may be inserted in the clamp and locked in position. By applying the scriber, a practical height gage results. Use of the rule converts the tool to a depth gage for measuring in 64ths of an inch. With the rod used as a depth gage, small recesses and holes can also be checked.

Catalog No.	EDP No.	Description
289C	51324	Clamp Block with Scriber, Rule and Rod



Left, No. 289A with the No. 289C Clamp Block and Rule on blade. Rod and scriber shown on right. Top right, measuring depth. Bottom right, measuring height.

Packed one in a box.



Large Combination Squares

No. 8 Series 24"

Extra large, heavy-duty construction throughout. The square head is 8-3/8" long and the center head has 4-1/4" arms. Furnished with 24" blade, 1-1/2" wide x 1/10" thick, with distinctive, machine-divided graduations. Heads are cast iron and have black wrinkle finish.

- ◆ Reversible lock bolts
- ◆ Accurate spirit level
- ◆ Hardened steel blade

24" Size

Description	Graduation	Catalog No.	EDP No.
With Square Head Only	No. 4 – 8ths, 16ths, 32nds, 64ths	8H	50037
With Square Head and Center Head		8HC	50038

Heads and Blades Only

Square Head		H8	50039
Center Head		C8	50040
24" Blade	No. 4 – 8ths, 16ths, 32nds, 64ths	B824-4	50041



Junior Combination Squares

No. 33J Series 6"

These squares are used by mechanics, toolmakers and patternmakers because of their compact, small size and light weight. Both blade and heads are smaller than on regular squares. Heads are drop forged, hardened steel and have smooth, black enamel finish. Blades 4" long may be ordered individually as listed below. Blades are furnished in regular finish, except where indicated.



Blade Length	Description	Graduation	Catalog No.	EDP No.
6"	With Square Head Only	No. 4R – 8ths, 16ths, Quick Reading 32nds, 64ths	33JH-6-4R	50229
		No. 16R – Quick Reading 32nds, 64ths, Aircraft Quick Reading 50ths, 100ths	33JH-6-16R	50231
6"	With Square Head and Center Head	No. 4R – 8ths, 16ths, Quick Reading 32nds, 64ths	33JHC-6-4R	50230
		No. 16R – Quick Reading 32nds, 64ths, Aircraft Quick Reading 50ths, 100ths	33JHC-6-16R	50232

Heads and Blades Only

	Square Head		H33-4	50223
	Center Head		C33-4	50226
6"	Blade	No. 4R – 8ths, 16ths, Quick Reading 32nds, 64ths	B33J-4R	50235
		No. 16R – Quick Reading 32nds, 64ths, Aircraft Quick Reading 50ths, 100ths	CB33J-4R*	67100
6"	Blade	No. 4R – 8ths, 16ths, Quick Reading 32nds, 64ths	B33J-16R	50236
		No. 16R – Quick Reading 32nds, 64ths, Aircraft Quick Reading 50ths, 100ths	CB33J-16R*	67101
4"	Blade	No. 4R – 8ths, 16ths, Quick Reading 32nds, 64ths	B4-4R	50076
		No. 16R – Quick Reading 32nds, 64ths, Aircraft Quick Reading 50ths, 100ths	CB4-4R*	50077
			CB4-16R*	50078

NOTE: *Blade in satin chrome finish.

Packed one in a box.



Student Combination Squares

No. 10 Series

These tools were designed to train and develop “youngsters” and apprentices to lay out and check their work more efficiently. The combination square is far superior to clumsy, old-style solid workshop-grade squares that are still being used in some vocational schools and apprenticeship programs around the world. The student’s advantages are:

- ◆ Tool is similar to our popular No. 11 Combination Square Series, but is a more economical value
- ◆ A rugged, cast iron square head that will outlast cheap plastic and die-cast imitations
- ◆ An accurate, hardened and tempered square blade offered in inch, millimeter, and inch and millimeter combined
- ◆ Reversible lock bolt allows the blade to be turned over or end-for-end so that all four graduated edges may be used
- ◆ The combination square, as its name indicates, handles many jobs, saving the apprentice from buying more individual tools. This combination square can be used as a try square, 45° miter, a depth gage, a height gage, a layout tool, and as a rule
- ◆ An optional center head is available to increase the versatility of this universal measuring tool



Inch

Size	Graduation	Catalog No.	EDP No.
6"	No. 4R – 8ths, 16ths, Quick Reading 32nds, 64ths	10H-6-4R	64942

Millimeter

150mm	mm and 1/2mm Both Sides	10MH-150	64943
-------	-------------------------	----------	-------

Inch and Millimeter

150mm (5-3/4")	1/2mm and 32nds One Side mm and 64ths Reverse Side	10MEH-150	64944
-------------------	---	-----------	-------

Center Head Only

	Center Head to Fit No. 10 Series Squares	C11-6	50073
--	--	-------	-------

Packed one in a box.