

The 2700 AGD Group 1 Digital Indicator is the only electronic indicator with true Group 1 dimensions. Applications that traditionally applied mechanical dial indicators can now be replaced with electronic indication. This enables the existing application to become more flexible by outputting data, setting tolerances, increasing resolution, and all other benefits of electronic indication.

FEATURES

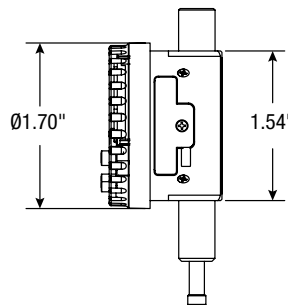
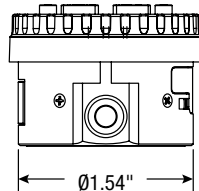
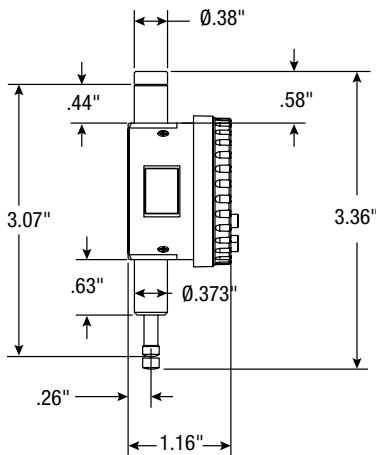
- 270 degree Rotating Bezel
- Small Diameter - A dimensional match to AGD Group 1 mechanical indicators (1.700"/43mm)
- Two Available Displays - Single LCD Numeric IQ model (largest of its class) with low battery warning and programmable ratios or Numeric/Analog AD model showing its two displays simultaneously
- .400" travel
- Store and view 200 readings internally, or download with included software and USB style cable
- Compatible with Starrett DataSure® wireless (contact Starrett)
- Long battery life with one CR232 cell battery (3,000 hours under typical use) or connect using a PC

Inch/Metric - 8mm Stem - M2.5 x 0.45 Thread

Cat. No.	EDP	Range		Resolution		Accuracy	
		in	mm	in	mm	in	mm
F2715IQ	72970	0.4	10	.001/.0005/.0001/.00005	0.02/0.01/0.002/0.001	±.0001	±0.002
F2715AD	72971	0.4	10	.001/.0005/.0001/.00005	0.02/0.01/0.002/0.001	±.0001	±0.002
F2714IQ	73273	0.4	10	.001/.0005/.0001	0.02/0.01/0.002	±.0001	±0.002
F2714AD	73274	0.4	10	.001/.0005/.0001	0.02/0.01/0.002	±.0001	±0.002

Accessories, Power Source, Cables

Cat. No.	EDP	Description
2700SCKB	69891	USB cable to PC (In focused window), all 2700 Series
2700SCU	23956	USB Cable, all 2700 Series
2700SCM	69896	SmartCable Gage MUX - all 2700 Series



F2715AD

