

MTH MANUAL TESTER

Starrett®

METROLOGY SOLUTIONS

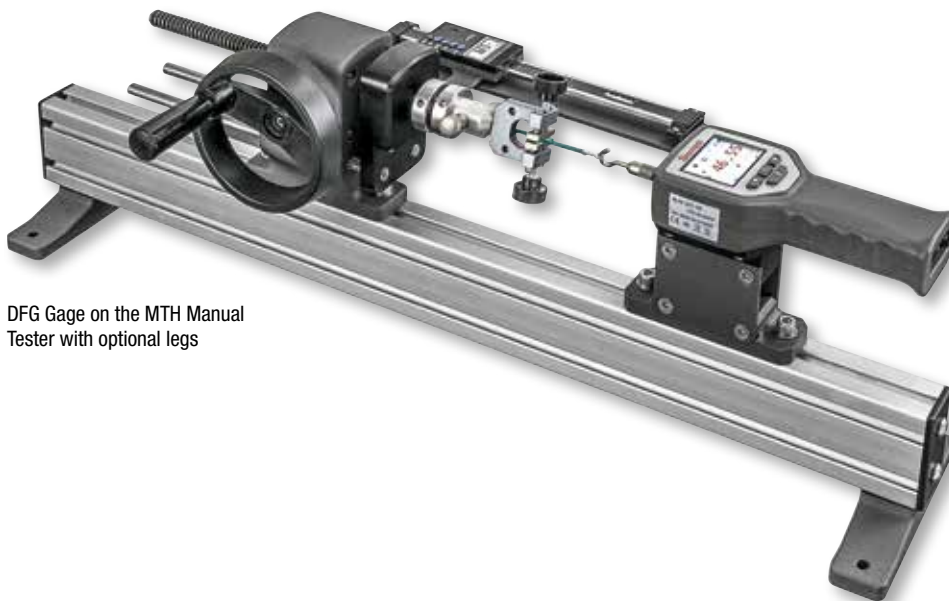
The MTH Manual Tester is a single column, manually-operated force tester. The MTH has a load measurement capacity of 550lbf (2500N, 250kgf) and can be used for compression or tensile testing. The mechanical advantage afforded by the MTH-550's precision, high-resolution worm gear design lets you test effortlessly. One rotation of the hand wheel positions the crosshead 0.03" (0.75mm). Total stroke for the MTH-550 is 4" (102mm). Force measurement is performed using a Starrett digital force gage.

The MTH-550 is an ideal, affordable solution for spring testing. Fit the MTH-550 with a digital force gage and optional digital scale to determine spring rates, initial tension and more.

The hand wheel may be positioned anywhere along the 30" (762mm) column, and with a 4" (102mm) throat, large samples can be accurately tested. The base may be permanently affixed to your workbench. Optional gage adapter kits are available for use with non-Starrett force gages. Quick-change clevis adapters let you mount a large selection of Starrett testing fixtures.

FEATURES

- Tension or Compression Testing
- Excellent for Cost-Effective Spring Testing
- Effortless Crosshead Movement
- Precision Worm Gear Design
- Excellent Position Resolution: Single Rotation for 0.03" (0.75mm)
- 30" (762mm) Column Height, 15" (380mm) Working Area
- Adjustable Gage Mounting



DFG Gage on the MTH Manual Tester with optional legs



DFG Gage on the MTH Manual Tester

MTH - Manual Force Tester, Hand Wheel Control

Model Number	Load Capacity			Crosshead Travel		Resolution/Rotation		Throat		Weight		Thread
	N	KGF	LBF	in	mm	in	mm	in	mm	lbs	kgs	mm
MTH-550	2500	250	550	4	102	0.03	0.75	4	102	22	10	M10 x 1.5-5H

Optional Accessories

Order Number	Description
MLX-PLATE-TS-100	Compression Plate, Steel, 100mm diameter
MLX-HOOK-L	Hook Adapter, 550 lbf Load Capacity
SPK-CLEVIS-L	Clevis Set, Stainless Steel, 550lbf, M10
SPK-MTLSCALE	Digital Scale Assembly
MLX-26030	Mounting Legs, for horizontal testing
L1-Spanner	Spanner Wrench for Clevis Sets
MLX-PIN-A	Grip Pin, Aluminum
MLX-PIN-S	Grip Pin, Stainless Steel

Force Gage Adapter Kits

Order Number	Description
SPK-FG-CHAT	Mounting Kit for Chatillon Force Gages
SPK-FG-MARK	Mounting Kit for Mark-10 Force Gages
SPK-FG-SHIM	Mounting Kit for Shimpo Force Gages
SPK-FG-IMAD	Mounting Kit for Imada Force Gages
SPK-FG-MECM	Mounting Kit for Mecmesin Force Gages

Please consult with your Starrett representative when ordering Force Gage Adapter Kits to ensure model compatibility.

DIMENSIONS

